

Victaulic® AGS Flexible Coupling

Style W77/W77B



W77

14 – 24"/DN350 – DN600 sizes
Patented



W77

26 – 50"/DN650 – DN1250 sizes
Patented



W77B

52 – 72"/DN1300 – DN1800 sizes
Patented



1.0 PRODUCT DESCRIPTION

Available Sizes

- 14 – 50"/DN350 – DN1250, Style W77
- 52 – 72"/DN1300 – DN1800, Style W77B
- For sizes larger than 72"/DN1800, see [publication 16.12](#)

Pipe Requirements

- Carbon Steel: API-5L, ASTM A53 Grade B, AWWA C200
- Stainless Steel: See [publication 17.01](#)
- For additional pipe requirements see [publication 25.09](#)

Maximum Allowable Working Pressure (For Carbon Steel Pipe)

- 14 – 24"/DN350 – DN600: up to 350 psi/2413 kPa
- 26 – 42"/DN650 – DN950: up to 300 psi/2068 kPa
- 44 – 50"/DN1100 – DN1250: up to 232 psi/1599 kPa
- 52 – 62"/DN1300 – DN1600: up to 175 psi/1206 kPa
- 64 – 68"/DN1650 – DN1700: up to 125 psi/826 kPa
- 70 – 72"/DN1750 – DN1800: up to 75 psi/517 kPa

NOTE

- For Stainless Steel Maximum Allowable Working Pressures see [publication 17.09](#).
- For Maximum Allowable Working Pressures on Victaulic Vic-Rings see [publication 16.12](#).

Application

- Provide limited linear and angular pipe movement at the pipe joint that can be used to compensate for thermal growth of piping systems, vibration attenuation, seismic, differential settlement and other applications requiring flexibility.

Function

- Unique wedge-shaped key profile increases allowable pipe end separation, resulting in easier assembly
- Sizes 26" and above feature lifting lugs integrated onto the housings to promote ease handling during installation of the coupling housing.

NOTES

- Style W77 AGS couplings are provided with FlushSeal™ gaskets for a variety of services. Please specify gasket grade when ordering. Please refer to [publication 05.01](#) for gasket service ratings.
- Style W77/W77B AGS flexible couplings can also be used on abrasive/slurry services in combination with an AGS Vic-Ring. See [publication 16.12](#).

ALWAYS REFER TO ANY NOTIFICATIONS AT THE END OF THIS DOCUMENT REGARDING PRODUCT INSTALLATION, MAINTENANCE OR SUPPORT.

2.0 CERTIFICATION/LISTINGS/STANDARDS



NOTES

- Sizes 377mm, 426mm, 480mm, 530mm, and 630mm are not UL, NSF and FM approved.
- See [publication 02.06](#): Victaulic Potable Water Approvals ANSI/NSF for potable water approvals if applicable.
- Refer to [publication 10.01](#) for Fire Protection Certifications/Listings Reference Guide

3.0 SPECIFICATIONS – MATERIAL

Housing: (specify choice)

Standard: Ductile iron conforming to ASTM A536, Grade 65-45-12.

Optional: Ductile iron conforming to ASTM A395, Grade 65-45-15.

Housing Coating: (specify choice)

Standard: Orange enamel.

Optional: Hot dipped galvanized and others.

Optional: Liquid Epoxy conforming with AWWA C210.

NOTE

- For additional coating options contact Victaulic.

Coupling Gasket: (specify choice¹)

Victaulic Grade “E” FlushSeal™ EPDM

EPDM (Green stripe color code). Temperature range -30°F to $+230^{\circ}\text{F}$ / -34°C to $+110^{\circ}\text{C}$. May be specified for hot water service within the specified temperature range plus a variety of dilute acids, oil-free air and many chemical services. UL Classified in accordance with ANSI/NSF 61 for cold $+73^{\circ}\text{F}/+23^{\circ}\text{C}$ and hot $+180^{\circ}\text{F}/+82^{\circ}\text{C}$ potable water service and ANSI/NSF 372. **NOT COMPATIBLE FOR USE WITH PETROLEUM SERVICES OR STEAM SERVICES.**

Victaulic Grade “T” FlushSeal™ Nitrile

Nitrile (Orange color code). Temperature range -20°F to $+180^{\circ}\text{F}$ / -29°C to $+82^{\circ}\text{C}$. May be specified for oil related services, including air with oil vapor, this gasket may be specified for temperatures rated up to $+180^{\circ}\text{F}/+82^{\circ}\text{C}$. For water related services, this gasket may be specified for temperatures rated up to $+150^{\circ}\text{F}/+66^{\circ}\text{C}$. For oil free, dry air services, this gasket may be specified for temperatures rated up to $+140^{\circ}\text{F}/+60^{\circ}\text{C}$. **NOT COMPATIBLE FOR USE WITH HOT WATER SERVICES OR STEAM SERVICES.**

Victaulic Grade “L” FlushSeal™ Silicone

Silicone (Red color code). Temperature range -30°F to $+350^{\circ}\text{F}$ / -34°C to $+177^{\circ}\text{C}$. May be specified for dry heat, air without hydrocarbons to $+350^{\circ}\text{F}/+177^{\circ}\text{C}$ and certain chemical services.

Others

For alternate gasket selection, reference [publication 05.01](#): Victaulic Seal Selection Guide – Elastomeric Seal Construction.

¹ Services listed are General Service Guidelines only. It should be noted that there are services for which these gaskets are not compatible. Reference should always be made to the latest [Victaulic Seal Selection Guide](#) for specific gasket service guidelines and for a listing of services which are not compatible.

3.0 SPECIFICATIONS – MATERIAL (CONTINUED)

Bolts/Nuts: (specify choice²)

Standard: Carbon steel oval neck track bolts meeting the mechanical property requirements of ASTM A449 (imperial) and ISO 898-1 Class 9.8 (M10-M16) Class 8.8 (M20 and greater) sizes 52 – 72" use A193 grade B7 studs. Carbon steel hex nuts meeting the mechanical property requirements of ASTM A563 Grade B (imperial – heavy hex nuts) and ASTM A563M Class 9 (metric - hex nuts). Track bolts and hex nuts are zinc electroplated per ASTM B633 FE/ZN5, finish Type III (imperial) or Type II (metric).

Optional (14 – 50"): Stainless steel oval neck track bolts or studs meeting the mechanical property requirements of ASTM A193 Grade B8M, Class 2 (316 stainless steel). Stainless steel heavy hex nuts meeting the mechanical property requirements of ASTM A194 Grade 8M (316 stainless steel) with galling reducing coating.

Optional (all sizes): Super duplex stainless steel studs per ASTM A1082 UNS 32750. Super duplex stainless steel heavy hex nuts per ASTM A1082 UNS 32750.

² Optional bolts/nuts are available in imperial sizes only

Washers For 26 – 72"/DN650 – DN1800 sizes:

Standard: Plated carbon steel, flat. SAE high strength conforming to ASTM F436 or high strength stainless steel.

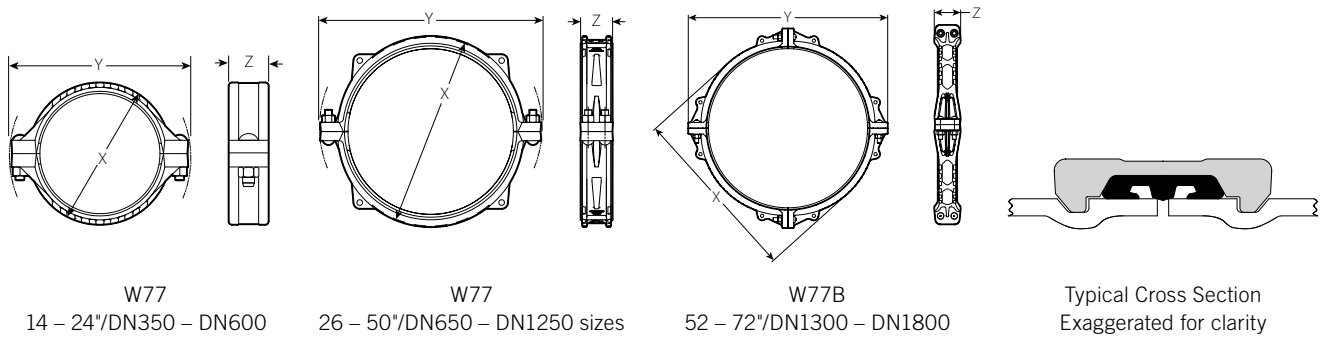
Optional (14 – 50"): High strength 316 stainless steel

Optional (all sizes): Super duplex stainless steel

NOTES

- For alternate hardware specifications not listed, contact Victaulic
- For Sizes 52" and larger, couplings are supplied with studs. For couplings supplied with studs, double the quantity shown for required number of nuts and washers.

4.0 DIMENSIONS

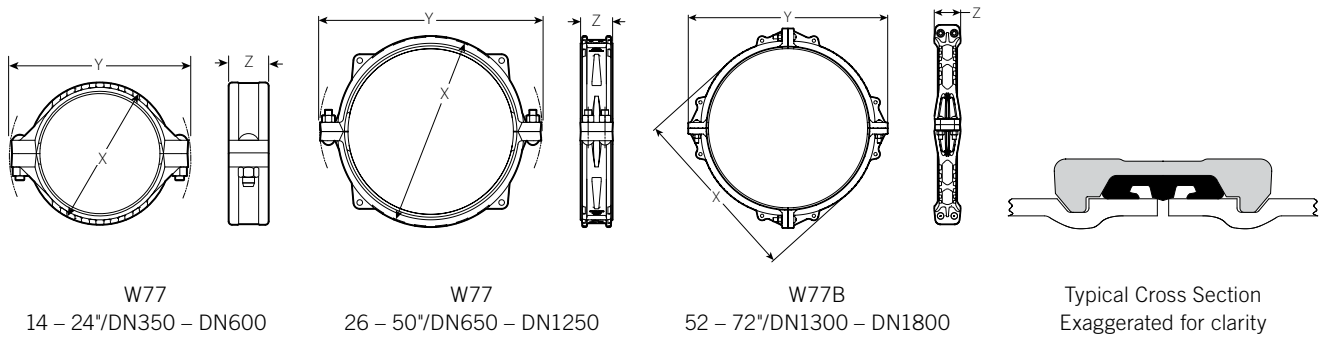


Size		Pipe End Separation	Deflect. From CL		Bolt/Nut		Dimensions			Weight
Nominal inches DN	Actual Outside Diameter inches mm	Nominal inches mm	Per Cplg. Deg.	in/ft mm/m	Qty.	Size inches	X inches mm	Y inches mm	Z inches mm	Approximate (Each) lb kg
14 DN350	14.00 355.6	0.13 – 0.31 3.3 – 7.9	0.73	0.154 12.86	2	1 x 5 1/2	16.25 412	20.88 530	4.75 120	52.0 23.5
	14.84 377.0	0.13 – 0.31 3.3 – 7.9	0.69	0.146 12.13	2	M24 X 140	17.13 434	21.75 552	4.88 124	57.0 26.0
16 DN400	16.00 406.4	0.13 – 0.31 3.3 – 7.9	0.64	0.135 11.25	2	1 x 5 1/2	18.50 470	22.88 582	4.88 124	62.0 28.0
	16.77 426.0	0.13 – 0.31 3.3 – 7.9	0.61	0.129 10.73	2	M24 X 140	19.25 488	23.75 604	4.88 124	65.0 29.5
18 DN450	18.00 457.2	0.13 – 0.31 3.3 – 7.9	0.57	0.120 10.00	2	1 x 5 1/2	20.63 524	24.88 632	4.88 124	67.0 30.5
	18.90 480.0	0.13 – 0.31 3.3 – 7.9	0.54	0.114 9.52	2	M24 X 140	21.63 550	26.25 666	4.88 124	78.0 35.5
20 DN500	20.00 508.0	0.13 – 0.31 3.3 – 7.9	0.51	0.108 9.00	2	1 1/8 x 5 1/2	22.88 582	28.00 712	4.88 124	88.0 40.0
	20.87 530.0	0.13 – 0.31 3.3 – 7.9	0.49	0.104 8.18	2	M27 X 140	23.75 604	29.00 736	4.88 124	93.0 42.0
22 DN550	22.00 558.8	0.13 – 0.31 3.3 – 7.9	0.46	0.098 8.18	2	1 1/8 x 6	25.00 636	30.50 774	4.88 124	102.0 46.5
24 DN600	24.00 610.0	0.13 – 0.31 3.3 – 7.9	0.42	0.090 7.50	2	1 1/8 x 5 1/2	27.50 698	32.25 820	4.88 124	115.0 52.0
	24.80 630.0	0.13 – 0.31 3.3 – 7.9	0.41	0.087 7.26	2	M27 X 140	28.25 718	33.25 844	4.88 124	120.0 54.5
26 DN650	26.00 660.4	0.15 – 0.53 3.8 – 13.5	0.83	0.175 14.62	4	1 1/8 x 6	30.75 782	35.75 908	6.00 152	215.0 97.5
28 DN700	28.00 711.2	0.15 – 0.53 3.8 – 13.5	0.77	0.163 13.57	4	1 1/8 x 6	32.75 832	37.75 958	6.00 152	230.0 104.5
30 DN750	30.00 762.0	0.15 – 0.53 3.8 – 13.5	0.72	0.152 12.67	4	1 1/4 x 7	34.50 876	40.25 1022	6.00 152	240.0 109.0
32 DN800	32.00 812.8	0.15 – 0.53 3.8 – 13.5	0.68	0.143 11.87	4	1 1/4 x 7	36.75 934	42.25 1074	6.00 152	255.0 115.5
34 DN850	34.00 863.6	0.15 – 0.53 3.8 – 13.5	0.64	0.134 11.18	4	1 1/4 x 7	38.75 984	44.25 1124	6.00 152	270.0 122.5
36 DN900	36.00 914.4	0.15 – 0.53 3.8 – 13.5	0.60	0.127 10.56	4	1 1/4 x 7	40.75 1036	46.25 1174	6.00 152	280.0 127.0

NOTES

- The outside diameter, ovality, and surface finish including flat spots and imperfections shall not vary more than the limits of API 5L end tolerance (See [publication 25.09](#) for more details).
- Additional wall thicknesses available. For performance on additional pipe wall thicknesses contact Victaulic.
- For additional pipe sizes, please contact Victaulic.

4.0 DIMENSIONS (CONTINUED)



Size		Pipe End Separation	Deflect. From CL		Bolt/Nut		Dimensions			Weight
Nominal inches DN	Actual Outside Diameter inches mm	Nominal inches mm	Per Cplg. Deg.	in/ft mm/m	Qty.	Size inches	X inches mm	Y inches mm	Z inches mm	Approximate (Each) lb kg
38 DN950	38.0 965.2	0.15 - 0.53 3.8 - 13.5	0.57	0.120 10.00	4	1 ¼ x 7	42.75 1086	48.25 1226	6.00 152	310.0 140.5
40 DN1000	40.0 1016.0	0.21 - 0.59 5.3 - 15.0	0.54	0.114 9.50	4	1 ½ x 8	44.50 1130	51.50 1308	6.75 172	360.0 163.5
42 DN1050	42.0 1066.8	0.21 - 0.59 5.3 - 15.0	0.51	0.109 9.05	4	1 ½ x 8	46.50 1182	53.00 1346	6.75 172	380.0 172.5
44 DN1100	44.0 1117.6	0.21 - 0.59 5.3 - 15.0	0.49	0.104 8.64	4	1 ½ x 8	49.00 1244	55.00 1398	6.75 172	410.0 186.0
46 DN1150	46.0 1168.4	0.21 - 0.59 5.3 - 15.0	0.47	0.099 8.26	4	1 ½ x 8	51.00 1296	57.00 1448	6.75 172	430.0 195.0
48 DN1200	48.0 1219.2	0.21 - 0.59 5.3 - 15.0	0.45	0.095 7.92	4	1 ½ x 8	53.00 1346	59.00 1498	6.75 172	440.0 199.5
50 DN1250	50.0 1270.0	0.21 - 0.59 5.3 - 15.0	0.43	0.091 7.60	4	1 ½ x 8	55.50 1410	61.50 1562	10.25 260	560.0 254.0
52 DN1300	52.0 1320.8	0.28 - 0.66 7.1 - 16.8	0.41	0.088 7.31	8	1 ½ x 9 ½	58.50 1486	67.50 1714	10.25 260	960.0 435.5
54 DN1350	54.0 1371.6	0.28 - 0.66 7.1 - 16.8	0.40	0.084 7.04	8	1 ½ x 9 ½	60.50 1536	69.50 1766	10.25 260	980.0 444.5
56 DN1400	56.0 1422.2	0.28 - 0.66 7.1 - 16.8	0.38	0.081 6.79	8	1 ½ x 9 ½	62.50 1588	71.50 1816	10.25 260	1010.0 458.0
58 DN1400	58.0 1473.2	0.28 - 0.66 7.1 - 16.8	0.37	0.079 6.55	8	1 ½ x 9 ½	64.50 1638	73.50 1866	10.25 260	1030.0 467.0
60 DN1500	60.0 1524.0	0.28 - 0.66 7.1 - 16.8	0.36	0.076 6.33	8	1 ½ x 9 ½	66.50 1690	75.50 1918	10.25 260	1060.0 481.0
62 DN1550	62.0 1574.8	0.28 - 0.66 7.1 - 16.8	0.35	0.074 6.13	8	1 ½ x 9 ½	69.00 1752	78.50 1994	10.50 266	1140.0 517.0
64 DN1600	64.0 1625.6	0.28 - 0.66 7.1 - 16.8	0.34	0.071 5.94	8	1 ½ x 9 ½	71.00 1804	80.50 2044	10.50 266	1160.0 526.0
66 DN1650	66.0 1676.4	0.28 - 0.66 7.1 - 16.8	0.33	0.069 5.76	8	1 ½ x 9 ½	73.00 1854	82.50 2096	10.50 266	1190.0 540.0
68 DN1700	68.0 1727.2	0.28 - 0.66 7.1 - 16.8	0.32	0.067 5.59	8	1 ½ x 9 ½	75.50 1918	84.50 2146	10.50 266	1270.0 576.0
70 DN1750	70.0 1778.0	0.28 - 0.66 7.1 - 16.8	0.31	0.065 5.43	8	1 ½ x 9 ½	78.00 1982	87.50 2222	10.50 266	1340.0 608.0
72 DN1800	72.0 1828.8	0.28 - 0.66 7.1 - 16.8	0.30	0.063 5.28	8	1 ½ x 9 ½	80.00 2032	89.50 2274	10.50 266	1420.0 644.5

For sizes larger than 72"/DN1800, see [publication 16.12](#).

NOTES

- The outside diameter, ovality, and surface finish including flat spots and imperfections shall not vary more than the limits of API 5L pipe end tolerances.
- See [publication 25.09](#): Advanced Groove System (AGS) Roll Groove Specifications for proper groove specifications.
- Additional wall thicknesses available. For performance on additional pipe wall thicknesses contact Victaulic.

5.0 PERFORMANCE

Style W77 (For Carbon Steel Pipe)

Size		Maximum Allowable Working Pressure (MAWP)			Max. End Load ⁴	Activation Moment ⁵
Nominal inches DN	Actual Outside Diameter inches mm	Light Wall ³ psi kPa	Std. Wt. 3/8" psi kPa	XS 1/2" psi kPa		
14 DN350	14.000	350	350	350	53,000	31,500
	355.6	2413	2413	2413	235,756	42,710
	14.843	350	350	350	60,000	37,500
	377.0	2413	2413	2413	266,894	50,840
16 DN400	16.000	350	350	350	70,000	47,000
	406.4	2413	2413	2413	311,376	63,720
	16.772	350	350	350	77,000	55,000
	426.0	2413	2413	2413	342,514	74,570
18 DN450	18.000	350	350	350	89,000	67,000
	457.0	2413	2413	2413	395,892	90,840
	18.898	350	350	350	98,000	78,000
	480.0	2413	2413	2413	435,926	105,750
20 DN500	20.000	350	350	350	105,000	92,000
	508.0	2413	2413	2413	467,064	124,740
	20.866	350	350	350	119,700	105,000
	530.0	2413	2413	2413	532,452	142,360
22 DN550	22.000	350	350	350	130,000	125,000
	559.0	2413	2413	2413	578,268	169,480
24 DN600	24.000	225	–	–	100,000	105,000
	609.6	1551	–	–	444,822	142,360
24 DN600	24.000	–	350	350	155,000	160,000
	609.6	–	2413	2413	689,474	216,930
	24.803	225	–	–	105,000	115,000
	630.0	1551	–	–	467,064	155,920
	24.803	–	350	350	165,000	175,000
	630.0	–	2413	2413	733,956	237,270
26 DN650	26.000	300	300	300	155,000	175,000
	660.4	2068	2068	2068	689,474	237,270
28 DN700	28.000	300	300	300	180,000	220,000
	711.2	2068	2068	2068	800,680	298,280
30 DN750	30.000	300	300	300	210,000	270,000
	762.0	2068	2068	2068	934,126	366,070
32 DN800	32.000	300	300	300	240,000	325,000
	812.8	2068	2068	2068	1,067,574	440,640
34 DN850	34.000	300	300	300	270,000	390,000
	863.6	2068	2068	2068	1,201,020	528,770
36 DN900	36.000	300	300	300	305,000	460,000
	914.4	2068	2068	2068	1,356,708	623,680

³ Light Wall for 14"/DN350 = 0.22"/5.6mm; 16 – 24"/DN400 – DN600 = 0.25"/6.4mm, 26 – 50"/DN650 – DN1250 = 0.312"/7.9mm
Light Wall for 377mm = 0.217"/5.5mm; 426mm, 480mm, 530mm, and 630mm = 0.256"/6.5mm

⁴ End loads are total from all internal and external loads, based on carbon steel pipe, rolled with Victaulic AGS rolls in accordance with [Victaulic AGS roll groove specifications](#). Contact Victaulic for performance on other pipe.

⁵ Victaulic Style W77/W77B require an activation moment resulting in reaction forces and moments in the system. This moment is linearly proportional to the system MAWP and can be determined for system design pressure through this linear relationship. The design activation moment shall be used for piping system and structural design purposes.

NOTES

- WARNING: FOR ONE TIME FIELD TEST ONLY, the Maximum Joint Working Pressure may be increased to 1 ½ times the figures shown.
- Additional wall thicknesses available. For performance on additional pipe wall thicknesses contact Victaulic.
- For additional pipe sizes, please contact Victaulic.
- AGS is a fully self-restrained joint.

5.0 PERFORMANCE (CONTINUED)

Style W77 (For Carbon Steel Pipe)

Size		Maximum Allowable Working Pressure (MAWP)			Max. End Load ⁴	Activation Moment ⁵
Nominal inches DN	Actual Outside Diameter inches mm	Light Wall ³ psi kPa	Std. Wt. ¾" psi kPa	XS ½" psi kPa		
38 DN950	38.0 965.2	300 2068	300 2068	300 2068	340,000 1,512,396	540,000 732,140
40 DN1000	40.0 1016.0	300 2068	300 2068	300 2068	375,000 1,668,084	630,000 854,170
42 DN1050	42.0 1066.8	300 2068	300 2068	300 2068	415,000 1,846,012	730,000 989,750
44 DN1100	44.0 1117.6	232 1600	232 1600	232 1600	350,000 1,556,878	650,000 881,280
46 DN1150	46.0 1168.4	232 1600	232 1600	232 1600	385,000 1,712,566	740,000 1,003,310
48 DN1200	48.0 1219.2	232 1600	232 1600	232 1600	415,000 1,846,012	840,000 1,138,890
50 DN1250	50.0 1270.0	232 1600	232 1600	232 1600	455,000 2,023,942	950,000 1,288,030
52 DN1300	52.0 1320.8	-	175 1207	175 1207	370,000 1,645,842	810,000 1,098,210
54 DN1350	54.0 1371.6	-	175 1207	175 1207	400,000 1,779,288	910,000 1,233,790
56 DN1400	56.0 1422.2	-	175 1207	175 1207	430,000 1,912,736	1,010,000 1,369,380
58 DN1450	58.0 1473.2	-	175 1207	175 1207	460,000 2,046,182	1,120,000 1,518,520
60 DN1500	60.0 1524.0	-	175 1207	175 1207	490,000 2,179,628	1,240,000 1,681,210
62 DN1550	62.0 1574.8	-	175 1207	175 1207	520,000 2,313,076	1,370,000 1,857,470
64 DN1600	64.0 1625.6	-	-	175 1207	560,000 2,491,004	1,510,000 2,047,290
66 DN1650	66.0 1676.4	-	-	125 862	425,000 1,890,494	1,180,000 1,599,870
68 DN1700	68.0 1727.2	-	-	125 862	450,000 2,001,700	1,290,000 1,749,010
70 DN1750	70.0 1778.0	-	-	75 517	285,000 1,267,744	850,000 1,152,450
72 DN1800	72.0 1828.8	-	-	75 517	305,000 1,356,708	920,000 1,247,350

For sizes larger than 72"/DN1800, see [publication 16.12](#).

³ Light Wall for 14"/DN350 = 0.22"/5.6mm; 16 - 24"/DN400 - DN600 = 0.25"/6.4mm, 26 - 50"/DN650 - DN1250 = 0.312"/7.9mm
Light Wall for 377mm = 0.217"/5.5mm; 426mm = 0.256"/6.5mm; 480mm = 0.256"/6.5mm

⁴ End loads are total from all internal and external loads, based on carbon steel pipe, rolled with Victaulic AGS rolls in accordance with [Victaulic AGS roll groove specifications](#). Contact Victaulic for performance on other pipe.

⁵ Victaulic Style W77/W77B require an activation moment resulting in reaction forces and moments in the system. This moment is linearly proportional to the system MAWP and can be determined for system design pressure through this linear relationship. The design activation moment shall be used for piping system and structural design purposes.

NOTES

- WARNING: FOR ONE TIME FIELD TEST ONLY, the Maximum Joint Working Pressure may be increased to 1 ½ times the figures shown.
- Additional wall thicknesses available. For performance on additional pipe wall thicknesses contact Victaulic.
- For additional pipe sizes, please contact Victaulic.
- AGS is a fully self-restrained joint.

5.1 PERFORMANCE

Torque Requirements

Coupling Size inches DN	Required Torque ft. lbs. N•m
14, 16, 18 DN350, DN400, DN450	250 339
377, 426, 480mm	250 339
20, 22, 24, 26, 28 DN500, DN550, DN600, DN650, DN700	375 508
30, 32, 34, 36, 38 DN750, DN800, DN850, DN900, DN950	500 678
40, 42, 44, 46, 48, 50 DN1000, DN1050, DN1100, DN1150, DN1200, DN1250	600 813
52, 54, 56, 58, 60, 62, 64, 66, 68, 70, 72 DN1300, DN1350, DN1400, DN1450, DN1500, DN1550, DN1600, DN1650, DN1700, DN1750, DN1800	1225 1661

6.0 NOTIFICATIONS

WARNING

- When grooving pipe for use with AGS products, Victaulic roll grooving tools must be equipped with AGS roll sets (RW for steel or RWX for stainless steel).
- RWX grooving rolls are identified by a silver color and the designation "RWX" on the front of the roll sets.
- Victaulic AGS products **MUST NOT** be installed on pipe that is prepared with original-type grooving roll sets.
- To ensure proper pipe end preparation refer to [publication 25.09](#) for AGS (Advanced Groove System) roll groove pipe specifications.

Failure to follow these instructions will cause grooves that are not within Victaulic AGS specifications, resulting in joint failure, serious personal injury, and property damage.

7.0 REFERENCE MATERIALS

- [02.06: Victaulic® Potable Water Approvals ANSI/NSF](#)
- [05.01: Victaulic® Seal Selection Guide](#)
- [16.12: Victaulic® AGS Vic-Ring Systems](#)
- [17.01: Victaulic Stainless Steel Pipe Grooving](#)
- [17.09: Victaulic Grooved Couplings Performance Data for Stainless Steel Pipe](#)
- [20.05: Victaulic® AGS Grooved End Fittings](#)
- [20.12: Victaulic W155 Expansion Joints](#)
- [20.16: Style W257 Dynamic Movement Joint](#)
- [23.19: Series W719 Butterfly Valve](#)
- [24.01: Victaulic® Pipe Preparation Tool Specifications](#)
- [25.09: Victaulic® AGS Roll Groove Specifications](#)
- [26.01: Victaulic® Design Data](#)
- [29.01: Victaulic® Terms and Conditions/Warranty](#)
- [I-ENDCAP: Victaulic® End Caps Installation Instructions](#)
- [I-W100: Field Installation Handbook Advanced Grooved System Products](#)

User Responsibility for Product Selection and Suitability

Each user bears final responsibility for making a determination as to the suitability of Victaulic products for a particular end-use application, in accordance with industry standards and project specifications, and the applicable building codes and related regulations as well as Victaulic performance, maintenance, safety, and warning instructions. Nothing in this or any other document, nor any verbal recommendation, advice, or opinion from any Victaulic employee, shall be deemed to alter, vary, supersede, or waive any provision of Victaulic Company's standard conditions of sale, installation guide, or this disclaimer.

Intellectual Property Rights

No statement contained herein concerning a possible or suggested use of any material, product, service, or design is intended, or should be construed, to grant any license under any patent or other intellectual property right of Victaulic or any of its subsidiaries or affiliates covering such use or design, or as a recommendation for the use of such material, product, service, or design in the infringement of any patent or other intellectual property right. The terms "Patented" or "Patent Pending" refer to design or utility patents or patent applications for articles and/or methods of use in the United States and/or other countries.

Note

This product shall be manufactured by Victaulic or to Victaulic specifications. All products to be installed in accordance with current Victaulic installation/assembly instructions. Victaulic reserves the right to change product specifications, designs and standard equipment without notice and without incurring obligations.

Installation

Reference should always be made to the Victaulic installation handbook or installation instructions of the product you are installing. Handbooks are included with each shipment of Victaulic products, providing complete installation and assembly data, and are available in PDF format on our website at www.victaulic.com.

Warranty

Refer to the Warranty section of the current Price List or contact Victaulic for details.

Trademarks

Victaulic and all other Victaulic marks are the trademarks or registered trademarks of Victaulic Company, and/or its affiliated entities, in the U.S. and/or other countries.